

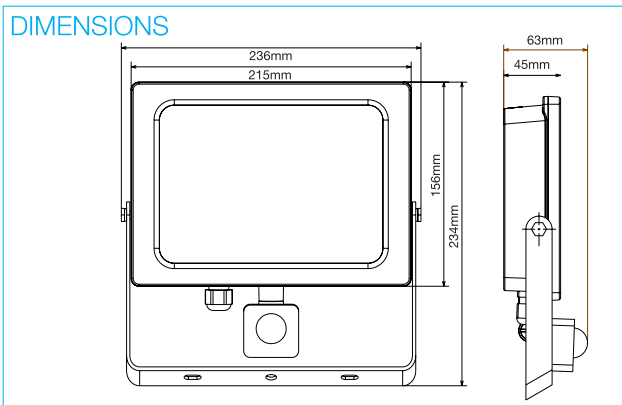
TECHNICAL DATASHEET

AFL050/CCT/PIR/WH

50W IP65 Hunter Slim Design CCT PIR Floodlight White

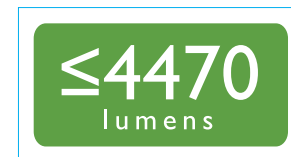


DIMENSIONS



PRODUCT FEATURES

- Easy-Install Angled Bracket
- Tri-Colour Selectable (3000K, 4000K & 6000K)
- Slimline Die-cast Aluminium Construction
- Prismatic Toughened Glass
- Push Terminals for Effortless Install
- Built-in Junction Box
- Manual Override
- Active Occupancy Monitoring Sensor
- Fully Adjustable PIR



| | |
|-----------------------|---|
| Product Code | AFL050/CCT/PIR/WH |
| Rated Power | 50W |
| Housing Colour | Polar White |
| Operating Voltage | 220-240V |
| Frequency | 50-60Hz |
| CRI | >80 |
| PF | >0.9 |
| Beam Angle | 120° |
| Lifetime to LM70 | <30,000 hr |
| Operating Temperature | -25°C ~ +40°C |
| SDCM | <6 |
| Starting Time | 0.5s |
| Ingress Protection | IP65 |
| LED Chip Type | SMD2835 |
| Guarantee | 2 years |
| Detection Angle: | 120 Degrees |
| Detection Range | 2-10 Meters |
| Hold Time: | 10 Sec +/- 5 second to 10 Min +/- 2 Min |
| Lux Setting: | 3-2000 Lux |
| Lumens | |
| 3000K | ≤3780Lm |
| 4000K | ≤4470Lm |
| 6000K | ≤3850Lm |
| CCT | 3000K /4000K /6000K |
| Switching Cycles | ≤15,000 |
| Peak Intensity | |
| 3000K | 1360cd |
| 4000K | 1648cd |
| 6000K | 1432cd |
| Class | I |

